

Spotlight series ES540x20

LED spotlight, 82x54x54 mm, up to 100000 lx, 43W, 24V DC, M12-connector 5-pin, IP20, aluminum+PMMA



**High light output due to High Power LED's
Suitable for continuous and flash operation**

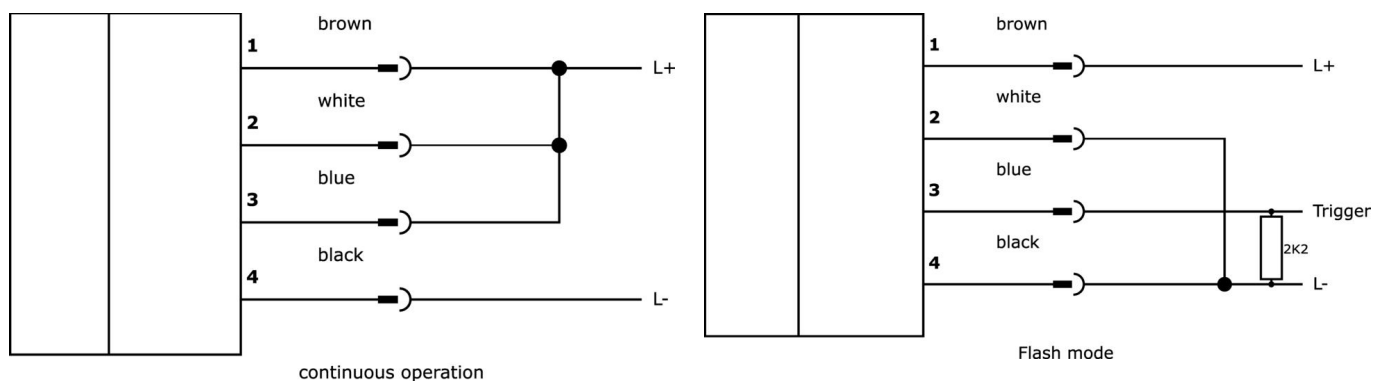
The ES540x20 series is optimized for continuous light operation at maximum light output. The active air cooling ensures a long life even at high power. The series is ideal for bridging larger distances and for high-speed photography. With up to 100,000 lux, the exposure time can be kept short and the frame rate increased.

Article No.	ES540020	ES540620	ES540820
ardSOCA_Abmessungen	1/4 inch, 82mm long		
ardSOCA_Betriebsspannung	23-25VDC		
Power	43 W		
Protection class	III		
Operational mode	Flash operation Permanent operation Switching operation		
Angle of beam spread	20 °		
Light source	White light	Blue light	Green light
Wavelength of the sensor		465 nm	521 nm
ardSOCA_ElektrischerAnschluss	M12 5-pin plug connector		
Degree of protection (IP)	IP20		
Housing material	Aluminum		
Front screen material	Polycarbonate		
Ambient temperature	10 - 30 °C		
Risk group	2		

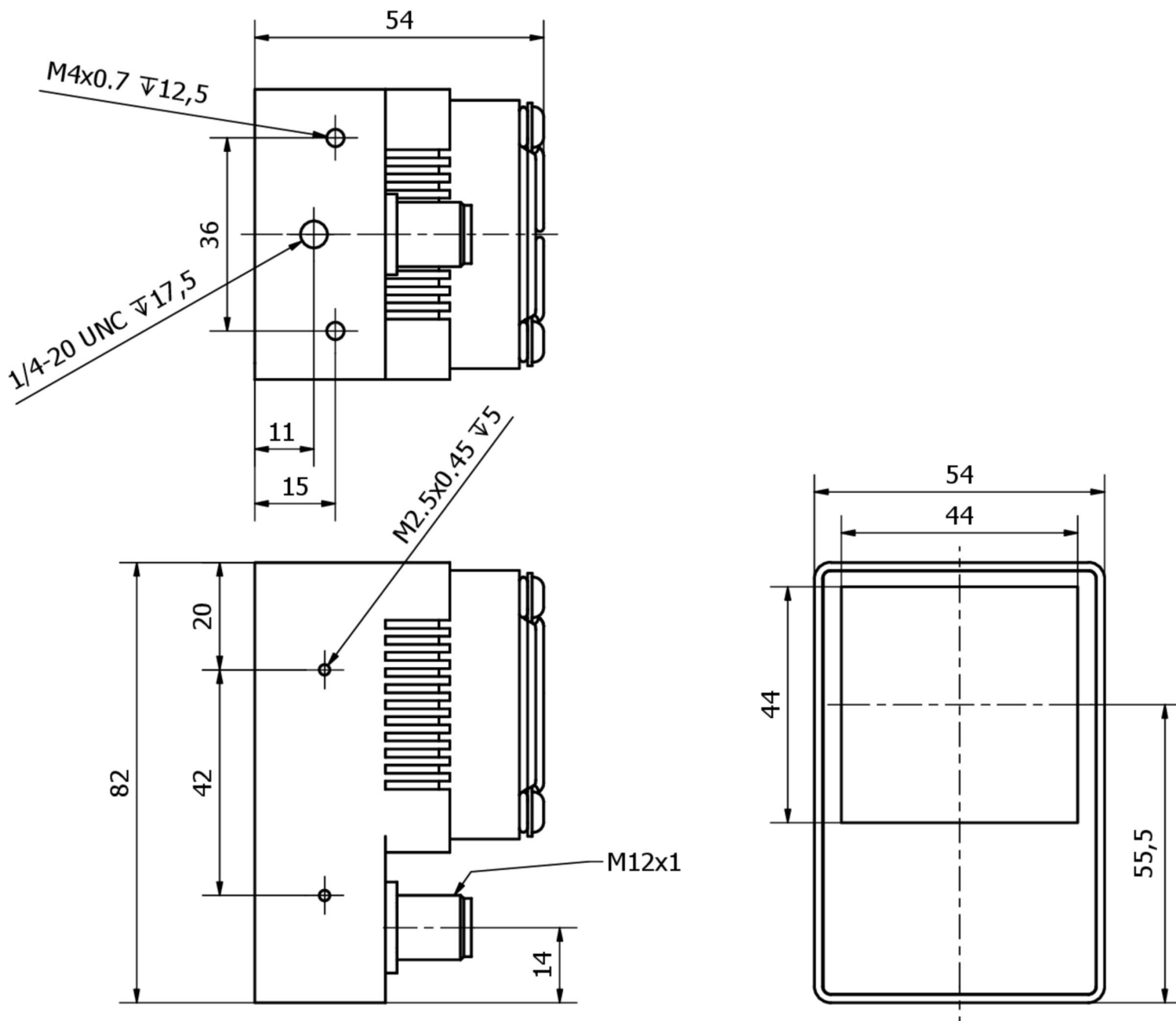
Important notes

/ Temperatura de superficie elevada superior a 55°C en funcionamiento continuo.

Connection




Dimensional drawing




Extract accessories program

NY000008

 DC power supply, plug-in power supply, 50x31.5x125 mm, 24V DC, 2.5A, 100-240V AC, M12-connector 5-pin, plastic, total cable length 3350mm, with on/off switch , Schuko plug

NY000009

 DC power supply, plug-in power supply, 165x65x35 mm, 24V DC, 5A, 100-240V AC, M12-connector 5-pin, plastic, total cable length 3350mm, with on/off switch , Schuko plug

You can find further accessories on our homepage



Installation

Mounting / installation may only be carried out by a qualified electrician!



Disposal

WEEE number according to § 6 para. 3 ElektroG: 40951076

Safety warnings

- /** Before initial operation, please make sure to follow all safety instructions that may be provided in the product information.
- /** Never use these devices in applications where the safety of a person depends on their functionality.
- /** LED lighting systems can generate intensive UV radiation, which can damage your eyes in case of improper use. The manufacturer cannot be held responsible for damages that result from improper use or connection.